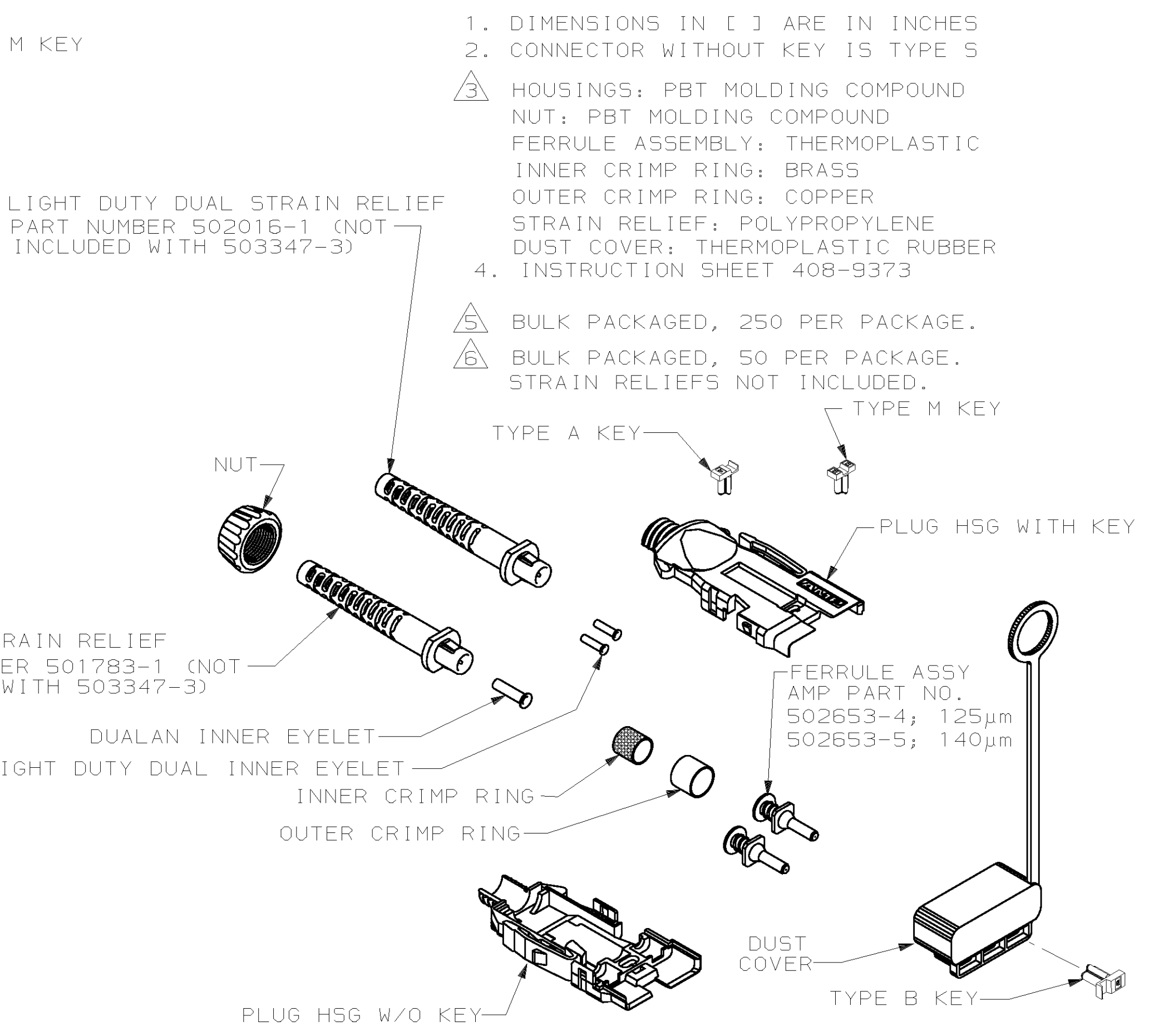
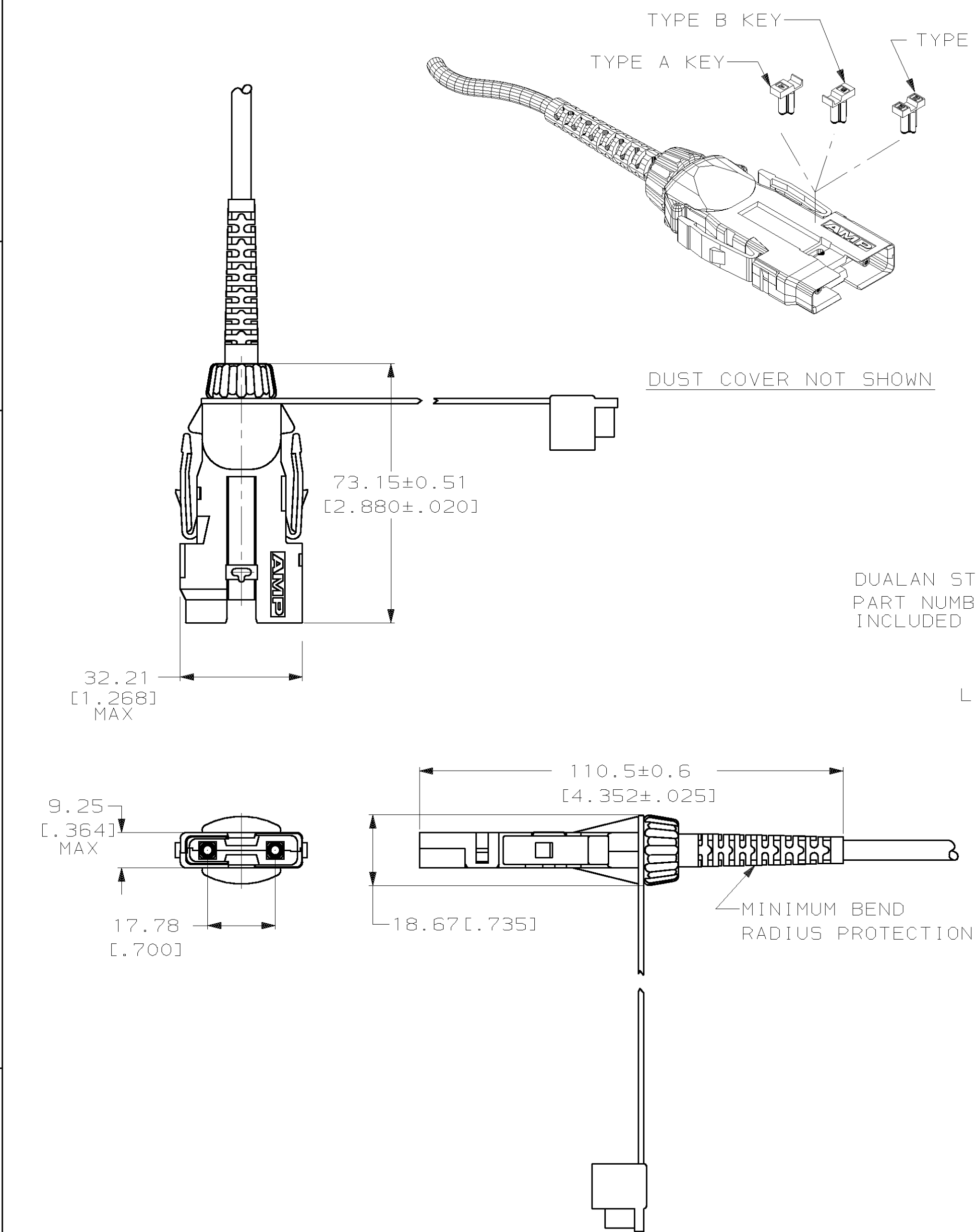


THIS DRAWING IS UNPUBLISHED. RELEASED FOR PUBLICATION, 19
 © COPYRIGHT 19 BY AMP INCORPORATED, HARRISBURG, PA. ALL INTERNATIONAL RIGHTS RESERVED. AMP PRODUCTS MAY BE COVERED BY U.S. AND FOREIGN PATENTS AND/OR PATENTS PENDING.

LOC	DIST	P	F	ZONE	LTR	DESCRIPTION	DATE	APPROVED
CE	16				D	REVISED PER 0A00-0588-03	26MAR04	KG/SB



- DIMENSIONS IN [] ARE IN INCHES
 - CONNECTOR WITHOUT KEY IS TYPE S
 - HOUSINGS: PBT MOLDING COMPOUND
 NUT: PBT MOLDING COMPOUND
 FERRULE ASSEMBLY: THERMOPLASTIC
 INNER CRIMP RING: BRASS
 OUTER CRIMP RING: COPPER
 STRAIN RELIEF: POLYPROPYLENE
 DUST COVER: THERMOPLASTIC RUBBER
 - INSTRUCTION SHEET 408-9373
- ⁵ BULK PACKAGED, 250 PER PACKAGE.
⁶ BULK PACKAGED, 50 PER PACKAGE. STRAIN RELIEFS NOT INCLUDED.

	DESCRIPTION FIBER SIZE	PART NUMBER
⁵	LIGHT DUTY DUAL 125µm	503347-7
OBSOLETE	LIGHT DUTY DUAL 140µm	503347-6
	LIGHT DUTY DUAL 125µm	503347-5
⁵	DUALAN 125µm	503347-4
⁶	125µm	503347-3
OBSOLETE	DUALAN 140µm	503347-2
OBSOLETE	DUALAN 125µm	503347-1

UNLESS OTHERWISE SPECIFIED DIMENSIONS ARE IN mm TOLERANCES ON :		DR 8-26-93 B.BRIGGS	
2 PL DEC ±0.13[.005]		CHK 8-27-93 B.BRIGGS	
3 PL DEC ± -		APPD 8-27-93 G.LIVINGSTON	
ANGLES ± -		APPD 8-27-93 D.FISHER	
MATERIAL	³	PRODUCT SPEC -	
FINISH	-	APPLICATION SPEC	-
WEIGHT	-	WEIGHT	-
AMP INCORPORATED Harrisburg, Pa. 17105		NAME	
CONNECTOR KIT, MULTIMODE POLYMER FERRULE, AMP FSD		SIZE	FSCM NO
		C	00779
		DRAWING NO	503347
SCALE 1:1		SHEET 1 OF 1	

METRIC